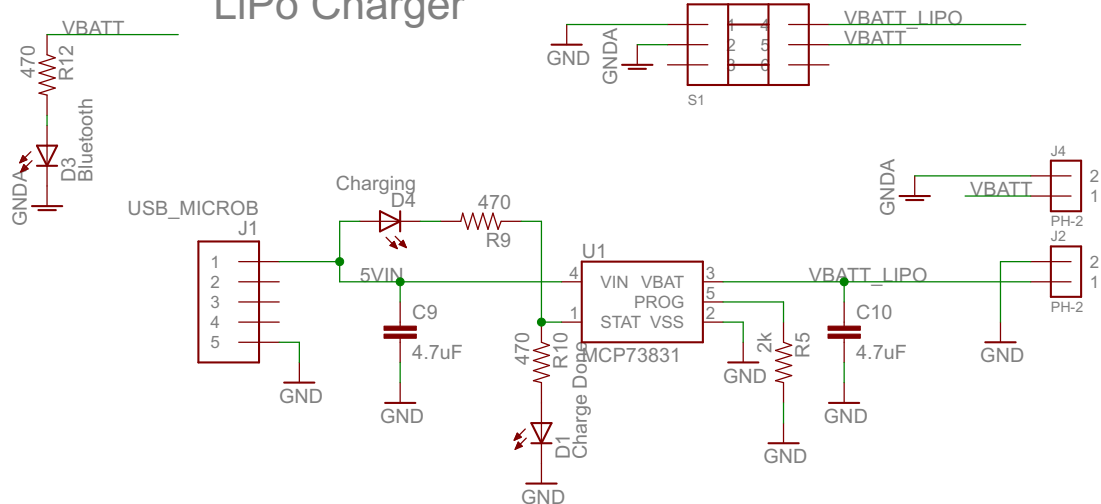
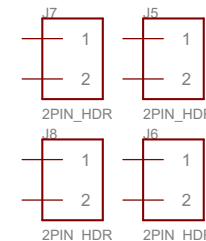


# LiPo Charger

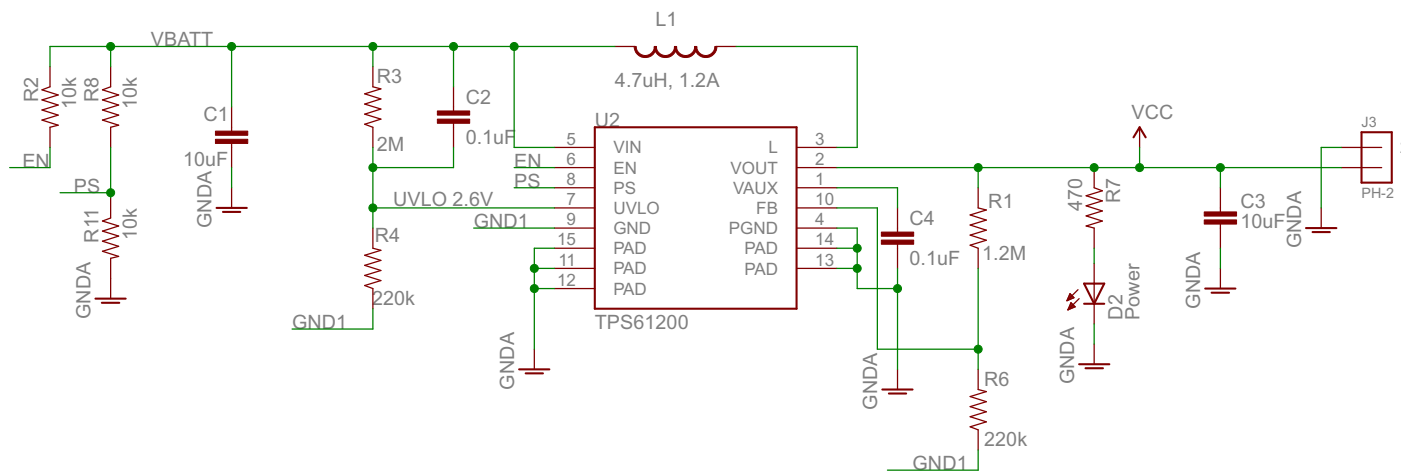


# Revision Notes

Changes to v13 (date:4/3/12)  
 -added breakout pins for PS and EN  
 -Route traces on IC directly away from pads to prevent uneven reflow  
 -move vias under IC so they're not as close to side ground pads  
 -added jumper to disable UVLO



# Switching Regulator



A.Weiss

Special Thanks to Oleg at Circuits at Home for the TPS61200 design

TITLE: charger

Document Number:

REV:

Date: 1/28/2014 10:12:07 PM

Sheet: 1/1