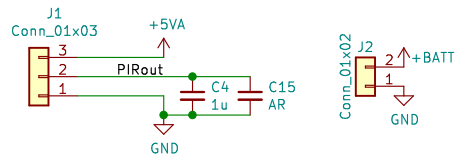
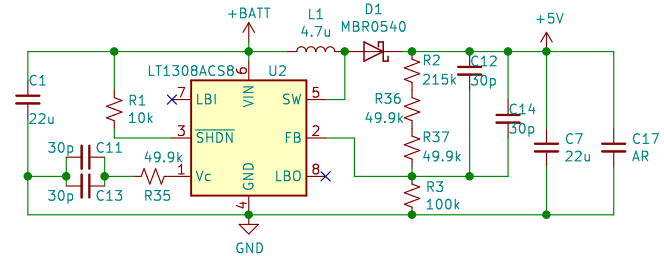
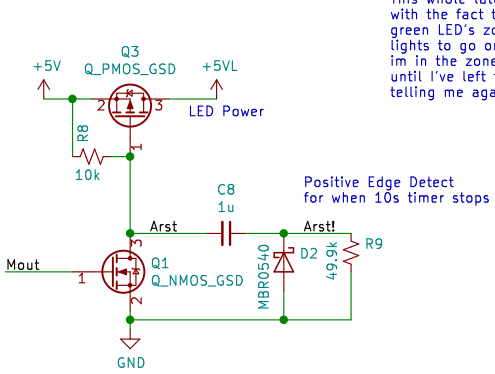
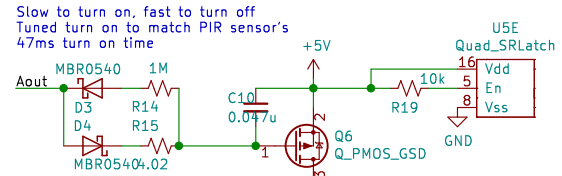
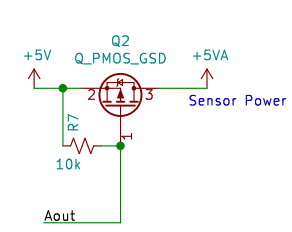
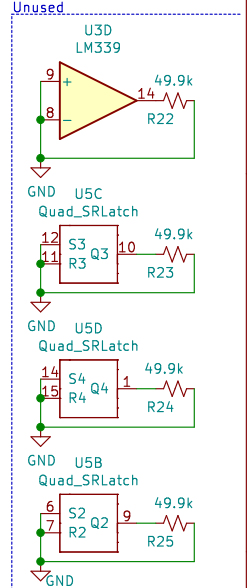
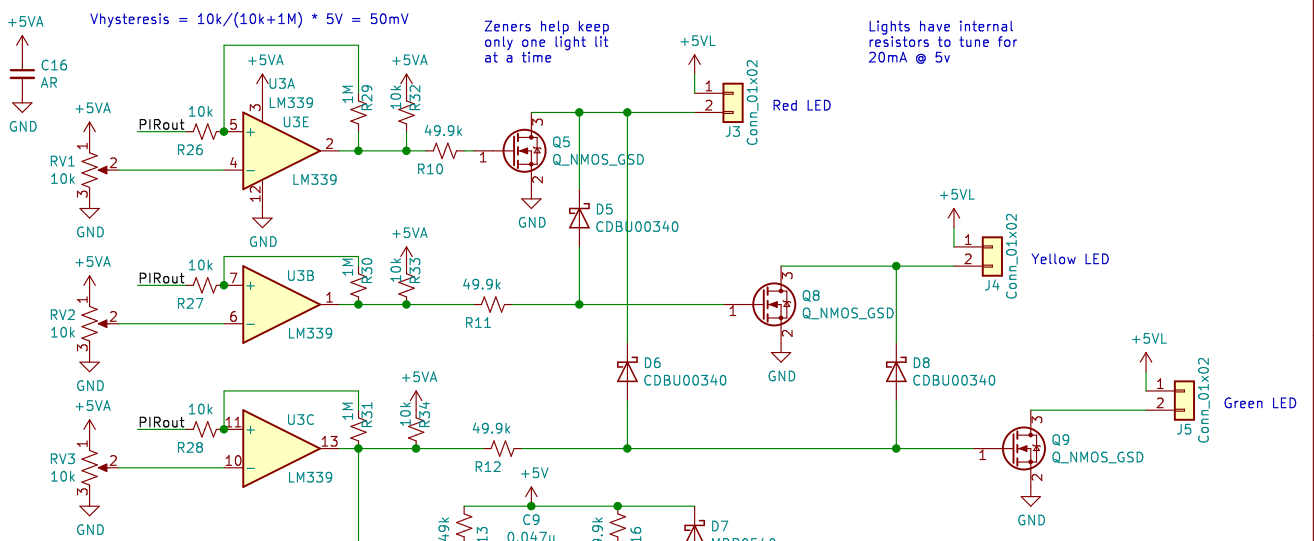
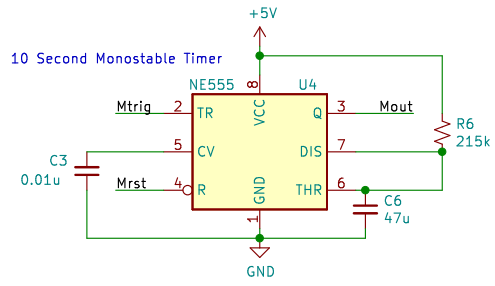
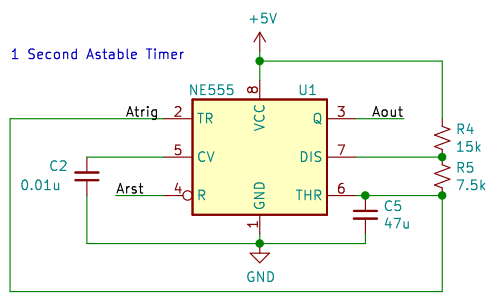


- ↑ +BATT TestPoint TP1
- ↑ +5V TestPoint TP2
- ↑ +5VA TestPoint TP3
- ↑ +5VL TestPoint TP4
- Mrst TestPoint TP5
- Aout TestPoint TP6
- Arst TestPoint TP7
- Atrig TestPoint TP8
- Mout TestPoint TP9
- Mtrig TestPoint TP10
- Pgreen TestPoint TP11
- Arst! TestPoint TP12
- PIRout TestPoint TP13



-----Hardware-----
 Long Grommets (sensor cable): RGS2-12462
 Short Grommet (solar cable):
 3 Conductor Wire:
 Threaded Standoffs: 36-4842-ND
 Mounting Screws: 5/16" machined
 Washers: 36-3154-ND



This whole latch business deals with the fact that once I'm in the green LED's zone, I don't want the lights to go on every sec telling me im in the zone. Need it to latch reset until I've left the green zone before telling me again that I'm back in it