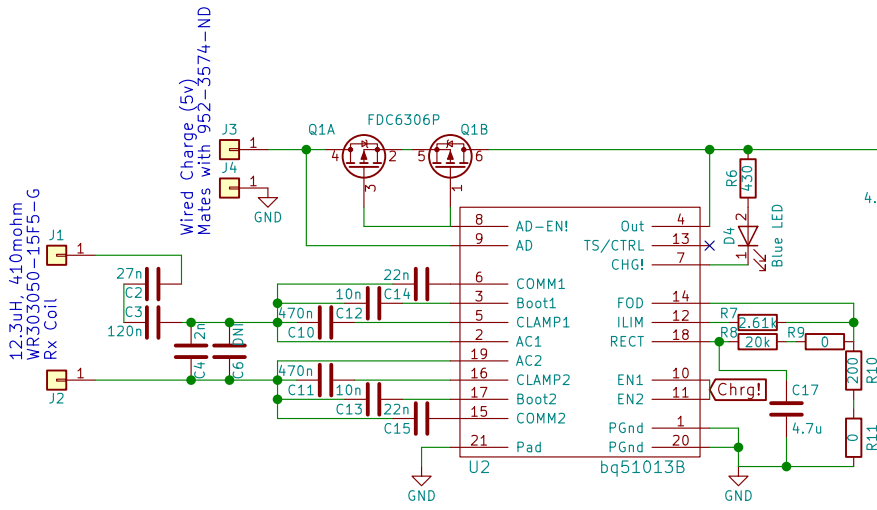
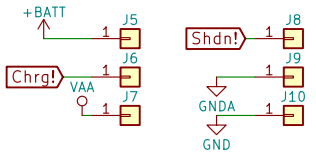


Intended to be used with Part No. 445-2550-1-ND on a tiny PCB mounted to the Battery Mated with 952-3575-ND on the tiny PCB



- Charger
H - Charge Complete/not charging
L - Charging
- Receiver
H - Not Charging
L - Charging
- TS/CTRL
H - Charge Complete
L - Fault Condition
Z - TS, normal op
- EN
11 - Stop all charging
00 - Green for charging

...What state are pins when uController is asleep? If they don't retain their last commanded state we can't assert for 2 seconds...



Sheet: 1/1		File: PowerBoard.sch	
Title: Nixie Power Board		Engineer: Emin Vartanians	
Size: A4	Date: 11/29/2017	Rev:	
KiCad E.D.A. kicad 4.0.7		Id: 1/1	

Source: C:\Users\emin.vartanians\Documents\KiCad Project\PowerBoard\PowerBoard.sch

Date: #####

Tool: Eeschema 4.0.7

Generator: C:/Program Files/KiCad/bin/scripting/plugins/bom_csv_grouped_by_value.py

Componen 67

Item	Qty	Reference(s)	Value	Digikey PN	PN
1	1	C1	10nF	399-10040-1-ND	C0603C103J2RACTU
2	1	C2	27n	311-3360-1-ND	CC0603JRX7R8BB273
3	1	C3	120n	1276-2455-1-ND	CL21B124JACNNNC
4	1	C4	2n	478-10122-1-ND	O4025C202JAT2A
5	1	C5	47u	478-8644-1-ND	F980J476MMA
6	1	C6	DNI		
7	4	C7, C17, C20, C21	4.7u	1276-6836-1-ND	CL05A475MO5NUNC
8	3	C8, C9, C22	100n	1276-1022-1-ND	CL05A104KP5NNNC
9	2	C10, C11	470n	490-16354-1-ND	GRM155R61H474KE11D
10	2	C12, C13	10n	399-10040-1-ND	C0603C103J2RACTU
11	2	C14, C15	22n	490-3884-1-ND	GRM155R71H223KA12D
12	3	C16, C18, C19	10nF	399-10040-1-ND	C0603C103J2RACTU
13	1	D1	D_Schottky	MBR0540CT-ND	MBR0540
14	3	D2, D3, D5	D	BAV21WSTPMSCT-ND	BAV21WS-TP
15	1	D4	Blue LED	475-3112-1-ND	LB QH9G-N100-35-1
16	1	D6	Red LED	754-2123-1-ND	APHHS1005LSECK/J3-PF
17	13	J1, J2, J3, J4, J5, J6, J7, J8, J9, J10, J12, J13, J14	Conn_01x01	952-3615-ND	M50-3930342
18	1	Q1	FDC6306P	FDC6306PCT-ND	FDC6306P
19	3	Q2, Q3, Q4	TSM250N02CX	TSM250N02CX RFGCT-ND	TSM250N02CX RFG
20	2	R1, R13	50k	311-49.9KLRCT-ND	RC0402FR-0749K9L
21	1	R2	100k	A121521CT-ND	CRG0402J100K/10
22	1	R3	7.5k	311-7.5KJRCT-ND	RC0402JR-077K5L
23	1	R4		150 311-150LRCT-ND	RC0402FR-07150RL
24	1	R5	1.1M	RHM1.1MKCT-ND	ESR10EZPJ115
25	2	R6, R15		430 RMCFO402JT430RCT-ND	RMCFO402JT430R
26	2	R7, R17	2.61k	YAG3103CT-ND	RC0402FR-072K61L
27	1	R8	20k	1276-4407-1-ND	RC1005J203CS
28	2	R9, R11		0	
29	1	R10		200 311-200JRCT-ND	RC0402JR-07200RL
30	1	R12	8.66k	YAG3255CT-ND	RC0402FR-078K66L
31	1	R14		750 YAG3314CT-ND	RC0402JR-07750RL
32	1	R16		0.68 A109552CT-ND	RLP73K1ER68FTDF
33	1	T1	PA1005	PA1005.020QNL-ND	PA1005.020QNL
34	1	U1	LT1308A	LT1308ACS8#PBF-ND	LT1308ACS8#PBF
35	1	U2	bq51013B	296-38885-1-ND	BQ51013BRHLR
36	1	U3	bq21040	296-47315-1-ND	BQ21040DBVR
37	1	U4	AP9101	AP9101CAK-AKTRG1DICT-ND	AP9101CAK-AKTRG1

